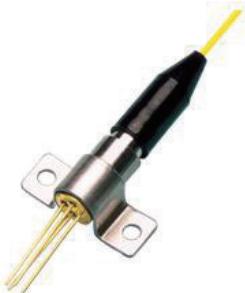


**980nm 10mW SM Coaxial Pigtailed LD with PM Fiber**
**976nm Fiber Coupled Laser Diode with PMF**

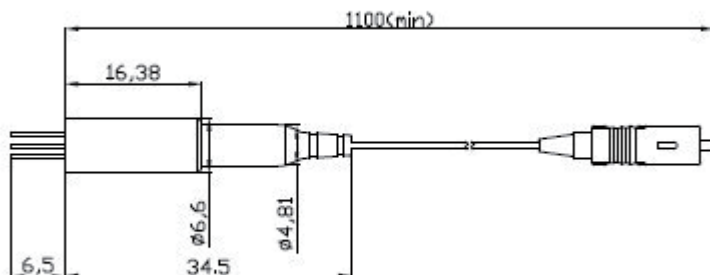
WSLP-980-010m-PM-PD

Wavespectrum laser inc.

[www.wavespectrum-laser.com](http://www.wavespectrum-laser.com)

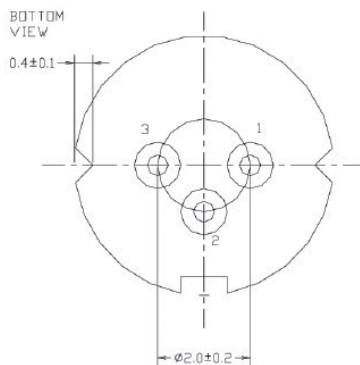
980nm Pigtailed Diode Laser		10mW/PM Fiber		Wavespectrum Laser, Inc	
PARAMETER	SYMBOL	VALUE		UNIT	
Reverse Voltage	$V_r$	2.0		V	
Operating Temperature	$T_{op}$	-10~+40		°C	
Storage Temperature	$T_{stg}$	-40 ~ +85		°C	
Lead soldering temperature (10 sec.)	$T_{is}$	260		°C	
<b>Features:</b> <ul style="list-style-type: none"> <li>● 980nm</li> <li>● PM Fiber</li> <li>● Coaxial package</li> <li>● Built-in PD</li> </ul>					
<b>Applications:</b> <ul style="list-style-type: none"> <li>● Medical laser treatment</li> <li>● Communication</li> </ul>					
<b>Specifications</b>		<b>WSLP-980-010m-PM-PD</b>			
		<b>Min</b>	<b>Type</b>	<b>Max</b>	
Center Wavelength@25°C		970nm	980nm	990nm	
Spectral Width (FWHM)		----	2.0nm	3.0nm	
Output Power		----	10mW	----	
Fiber Type		PM Fiber			
Slope Efficiency		0.8mW/mA	0.9mW/mA	----	
Monitor Current		----	0.1mA	----	
PD Reverse Voltage		----	30V	----	
Fiber Connector		FC/ST/SMA905			
Fiber Length		----	80cm	100cm	
Threshold Current (Typ.)		----	35mA	45mA	
Operating Current (Typ.)		----	90mA	90mA	
Operating Voltage		----	2.0V	2.5V	
Package Style		Coaxial			

**Coaxial Package View**



单位: mm

**PIN Bottom View:**



1	LD(+)
2	LD(-)&PD(+)
3	PD(-)

**Electrically shorten LD module and store in non-extreme conditions.  
Suggest using the constant current power supply.**

